

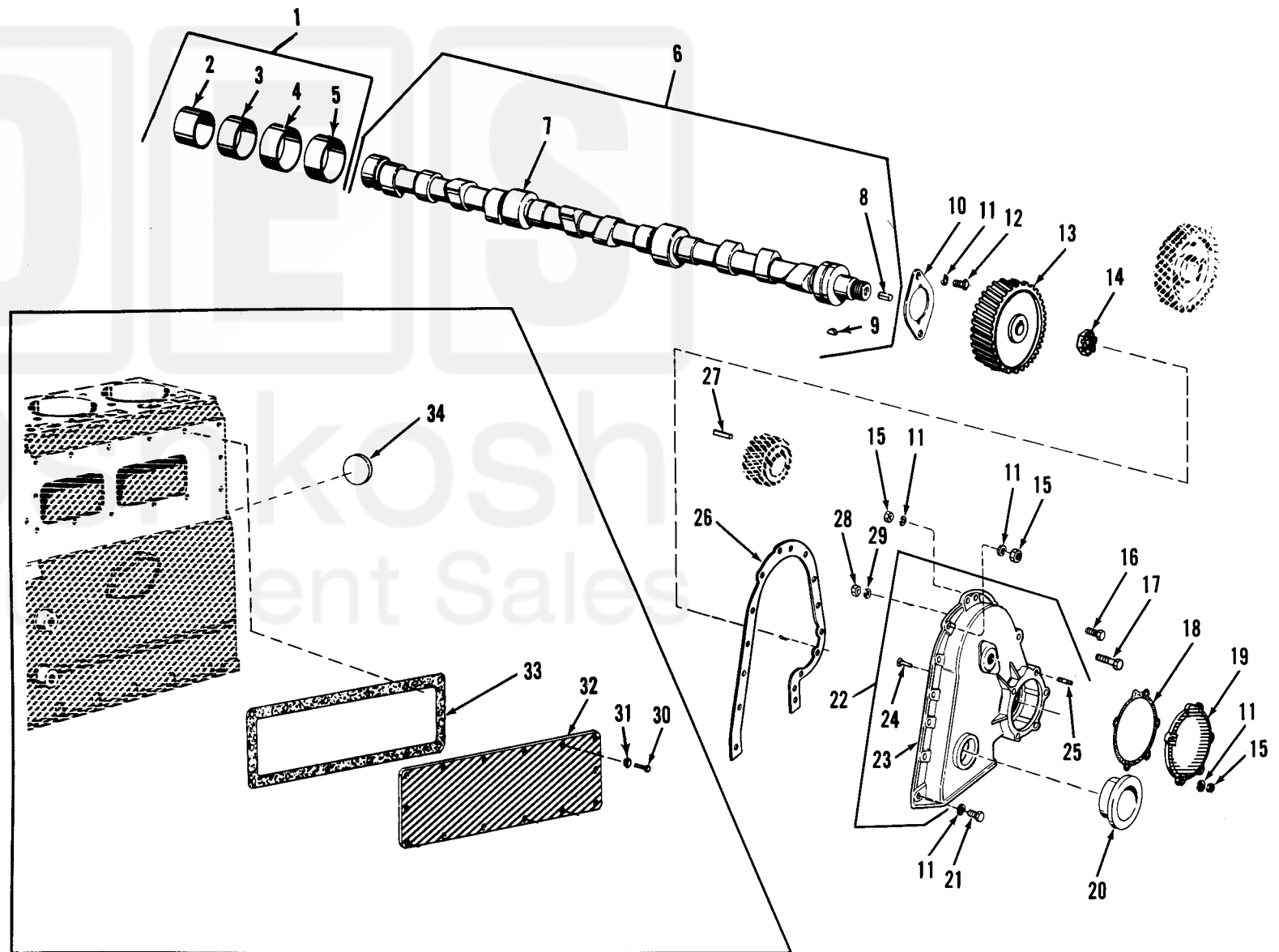
Current part is item (26) on diagram. Available at [www.oshkosequipment.com](http://www.oshkosequipment.com)

(1) SMR Code	(2) Federal Stock Number	DESCRIPTION	UNIT of meas	Qty inc. in Unit	30-day DS maint allowance			30-day GS maint allowance			1-yr alw per 100 equip cnt- gcy	Depot maint alw per 100 equip	Illustration	
					(a) 1-20	(b) 21-50	(c) 51-100	(a) 1-20	(b) 21-50	(c) 51-100			(a) Figure No.	(b) Item No.
		Reference Number & Mfr. Code												
		Usable On Code												
PAHZZ	6680-179-5125	SLEEVE: TACHOMETER DRIVE 10889925 (19207)	EA	1				*	*	*	*	*	6	8
PAHZZ	5315-011-2139	KEY,WOODRUFF: GEAR MTG 112139 (24617)	EA	1				*	*	*	*	*	6	9
PAHZZ	2815-861-3831	THRUST PLATE, CAMSHAFT: 10889837 (19207)	EA	1				*	*	*	*	*	6	10
PAFZZ	5310-959-4675	WASHER, LOCK: THRUST PLATE, GEAR COVER AND ACCESS COVER MTG MS35340-46 (96906)	EA	15	*	*	*	*	*	*	*	*	6	11
PAHZZ	5305-269-3211	SCREW, CAP, HEXAGON HEAD: THRUST PLATE MTG MS90725-60 (96906)	EA	2				*	*	*	*	*	6	12
PBFZZ	2815-177-9209	GEAR, CAM SHAFT TIMING: 10889822 (19207)	EA	1	*	*	*	*	*	*	*	*	6	13
PAFZZ	5310-930-7979	NUT, SELF-LOCKING, HEXAGON: GEAR MTG 11602502 (19207)	EA	1	*	*	*	*	*	*	*	*	6	14
PAFZZ	5310-732-0558	NUT, PLAIN, HEXAGON: GEAR COVER AND ACESS COVER MTG MS51967-8 (96906)	EA	6	*	*	*	*	*	*	*	*	6	15
PAFZZ	5305-269-3213	SCREW, CAP, HEXAGON HEAD: GEAR COVER TO FRONT PLATE MTG MS90725-62 (96906)	EA	1	*	*	*	*	*	*	*	*	6	16
PAFZZ	5305-050-1077	SCREW, CAP, HEXAGON HEAD: GEAR COVER TO FRONT PLATE MTG MS90725-118 (96906)	EA	1	*	*	*	*	*	*	*	*	6	17
PAFZZ	2910-862-9065	GASKET: ACCESS COVER MTG 10889724 (19207)	EA	1	*	*	*	*	*	*	*	*	6	18
PAFZZ	5340-450-6720	COVER, ACCESS: INJECTION PUMP DRIVE 10951005 (19207)	EA	1	*	*	*	*	*	*	*	*	6	19
PAFZZ	2815-808-7366	DEFLECTER, DIRT AND LIQUID: GEAR COVER 11610423 (19207)	EA	1	*	*	*	*	*	*	*	*	6	20
PAFZZ	5305-269-4511	SCREW, CAP, HEXAGON HEAD: GEAR COVER TO FRONT PLATE MTG MS90725-63 (96906)	EA	6	*	*	*	*	*	*	*	*	6	21
PRFZZ	2815-411-5791	COVER, TIMING GEAR: 10899082 (19207)	EA	1	*	*	*	*	*	*	*	*	6	22
XAFZZ		COVER, GEAR: 10899082-1 (19207)	EA	1	*	*	*	*	*	*	*	*	6	23
XAFZZ		PIN: COVER LOCATING 103813 (21450)	EA	2	*	*	*	*	*	*	*	*	6	24
PAFZZ	5307-420-9787	STUD, PLAIN: ACCESS COVER MTG 10899066 (19207)	EA	1	*	*	*	*	*	*	*	*	6	25
PAFZZ	5307-851-8981	STUD, PLAIN: ACCESS COVER MTG, 0.003 IN. OVERSIZE 10899092 (19207)	EA	1	*	*	*	*	*	*	*	*	6	25
PAFZZ	5307-087-7531	STUD, PLAIN: ACCESS COVER MTG, 0.003 IN. OVERSIZE 10912511-3 (19207)	EA	1	*	*	*	*	*	*	*	*	6	25
PAFZZ	2815-860-0560	GASKET: GEAR COVER MTG 10889736 (19207)	EA	1	*	*	*	*	*	*	*	*	6	26
PAFZZ	5315-406-3419	KEY,WOODRUFF: GEAR MTG 7748817 (19207)	EA	1	*	*	*	*	*	*	*	*	6	27
PAFZZ	5310-768-0318	NUT, PLAIN, HEXAGON: GEAR COVER TO FRONT PLATE MTG MS51967-14 (96906)	EA	1	*	*	*	*	*	*	*	*	6	28
PAFZZ	5310-834-7606	WASHER, LOCK: GEAR COVER TO FRONT PLATE MTG MS35340-48 (96906)	EA	1	*	*	*	*	*	*	*	*	6	29
PAFZZ	5305-269-3210	SCREW, CAP, HEXAGON HEAD: TAPPET COVER MTG MS90725-59 (96906)	EA	14	*	*	*	*	*	*	*	*	6	30
PAFZZ	5310-080-6004	WASHER, FLAT: TAPPET COVER MTG MS27183-14 (96906)	EA	14	*	*	*	*	*	*	*	*	6	31



Current part is item (26) on diagram. Available at [www.oshkosequipment.com](http://www.oshkosequipment.com)

Current part is item (26) on diagram. Available at [www.oshkoshequipment.com](http://www.oshkoshequipment.com)



TA010712

Figure 6. Camshaft Gear Cover and Associated Parts.

Current part is item (26) on diagram. Available at [www.oshkoshequipment.com](http://www.oshkoshequipment.com)